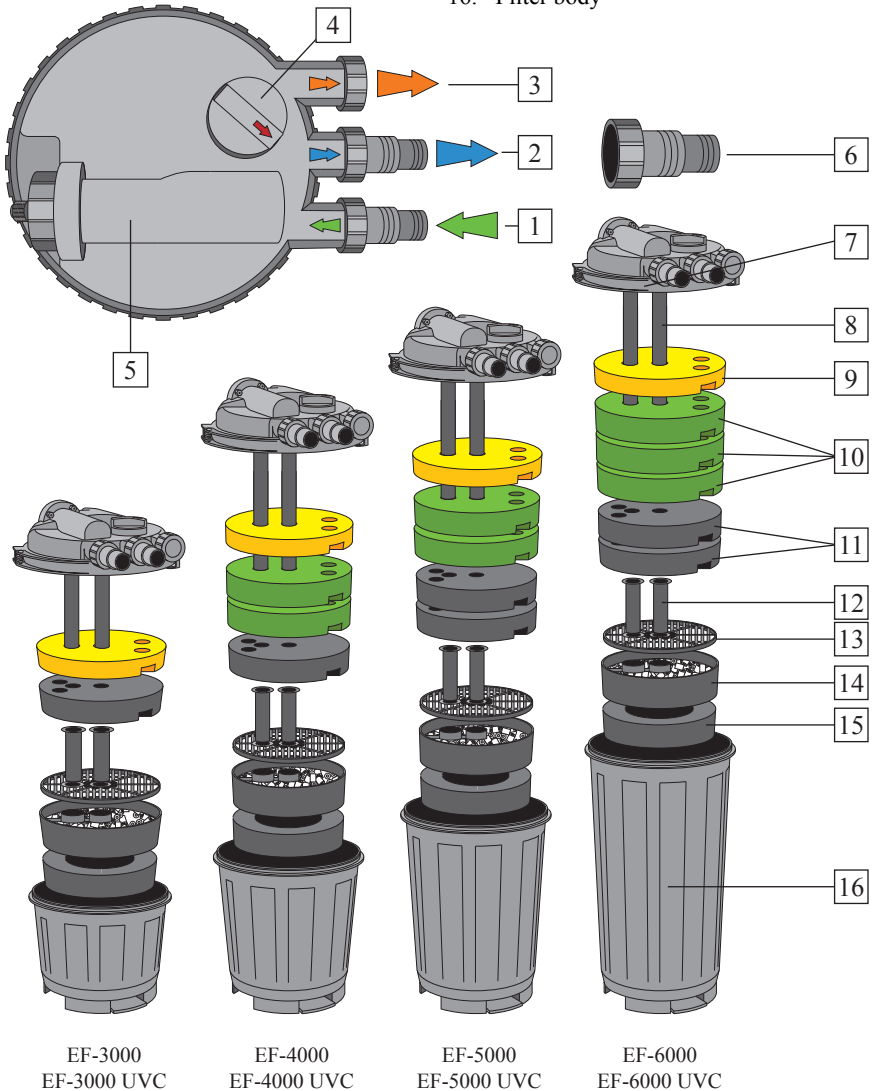


PART LIST:

1. Intake
2. Output
3. Backwash/sludge removal
4. Backwash knob
5. Terminator™ UVC Sterilizer (Optional. See detail on page 11)
6. Barbed fitting
7. Lid retainer clamp
8. Intake & Output tube
9. Fine bio foam
10. Medium bio foam
11. Coarse bio foam
12. Intake & output flares
13. Ceramic bio strainer lid
14. Ceramic bio chamber with media
15. Coarse prefilter
16. Filter body



EF-3000
EF-3000 UVC

EF-4000
EF-4000 UVC

EF-5000
EF-5000 UVC

EF-6000
EF-6000 UVC