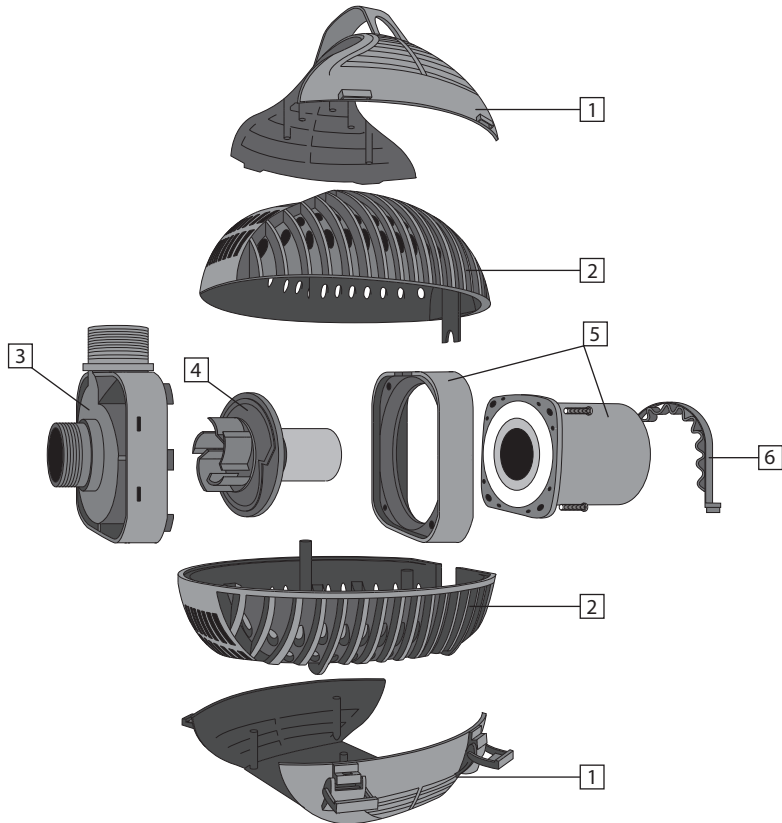
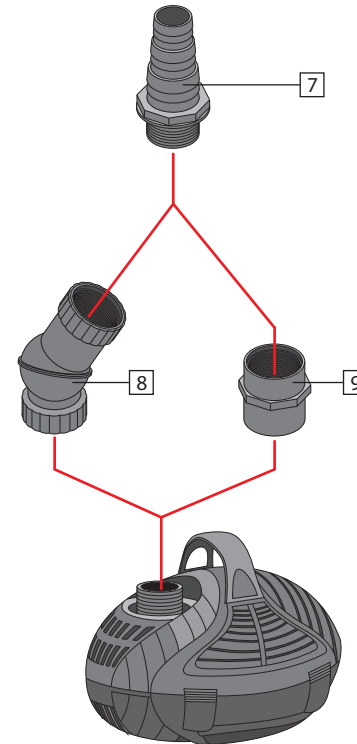


PART LIST

1. Locking pre-filter
2. Main pre-filter
3. Volute
4. Impeller
5. Motor
6. C-clamp
7. Barbed pipe adapter
8. Universal elbow
9. Coupler
10. Water bell head
11. Three tier head
12. Uplift tubes (3)
13. Valve and water diverter
14. Diverter cap
15. Barbed flexible adapter
16. 1 1/4" threaded pump to uplift tubes adapter
17. Fountain head coupler



A) Submersed



B) Fountain Head

